



**NORDLAND
LIGHTING®**



NGB-LED PRO

OVERVIEW

Introducing the NGB LED Pro, an advanced luminaire designed to cater to diverse lighting needs in a multitude of applications. Its versatility makes it the perfect choice for illuminating indoor and outdoor areas, including sports facilities, industrial environments, emergency lighting, mining and surface areas, oil and gas facilities, and washbays.

The NGB LED Pro showcases exceptional performance characteristics, featuring superior lumen output, energy efficiency, and a long lifespan, ensuring bright and

enduring illumination while optimizing energy consumption. Its uniform and glare-free illumination, combined with a wide beam angle, provides extensive coverage and enhanced visibility, creating a comfortable and well-lit environment. The luminaire excels in color rendering, guaranteeing accurate and vibrant lighting for enhanced visibility.

With instant start capabilities without flickering and built to withstand impacts and vibrations, the NGB LED Pro ensures reliable and uninterrupted performance even in challenging conditions. Featuring an IP rating of 65

or better, the luminaire demonstrates its resilience against dust and water ingress, making it suitable for various indoor and outdoor environments.

Installation is made simple with multiple mounting options, including ceilings, walls, and poles, with included mountings for added convenience. Crafted with quality materials, the NGB LED Pro represents a customizable and versatile lighting solution, tailored to meet diverse requirements and deliver exceptional performance in any setting.

APPLICATIONS



INDOOR
AREAS



OUTDOOR
AREAS



SPORTS
FACILITIES



INDUSTRIAL
ENVIRONMENTS



MINING AND
SURFACE AREAS



OIL AND GAS



WASHBAYS

FLOODLIGHT • BULKHEAD • HIGHBAY

PERFORMANCE

Model Name	NGB-LED PRO				
Wattages	40W	55W	72W	102W	150W
Nominal Lumens	6800	9350	12240	17340	25500
System Lumens	5600	7700	10080	14280	21000
System Efficacy	140lm/W				
Emergency Operation	6W @ 1hr 800lm EM version only				

LED AND OPTICS

Optics	120deg standard, 30,60,90 available on request
Expected lifetime	>80000
L70 rating	>80 000hrs @25°C
Colour Rendering Index RA	>80
Colour Temperature	5000K standard, 3000K, 4000K available on request

ELECTRICAL AND OPERATING

Driver	LED Constant current, Customizable wattage
Operating temperature	-20°C to +40°C
Input voltage/Frequency	220V-240 VAC \pm 10%, 50/60Hz, 198 - 276 VDC (Kindly confirm the DC application before order)
Input Current	0.192A@40W; 0,264A@55W; 0,345A@72W; 0,489A@102W; 0,720A@150W
Power Factor	\geq 0.95
Surge Protection	4kV L/N to PE, 2kV L to N
Other options	10KV surge protection available on special request
	Custom wattages available on request

PRODUCT MATERIALS AND INSTALLATION

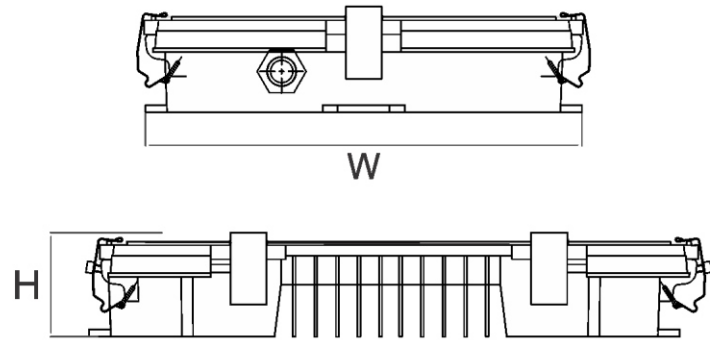
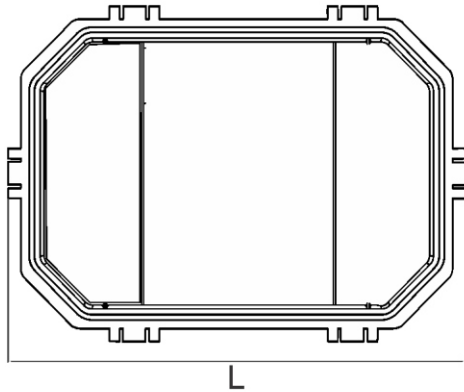
Housing	High Pressure Die cast LM6 Aluminium, Powder coated
Lens	Glass, tempered
Gasket	Rubber Silicone cemented into groove
Finish	Powder coated, black, Other colours available on special request
Ingress Protection	IP66
IK Rating	IK10
Mounting Options	Wall, Pole, Ceiling, Flood Trunnion arm optional
Spigot size	N/A

**CERTIFICATIONS. STANDARDS
AND WARRANTIES**

Complies to SANS 60598-1

Complies to SANS 1464-22 (EM VERSION ONLY)

DIMENSIONS



DIMENSIONS AND PACKAGING

Model	NGB LED Pro	
Wattage	40, 55, 72, 102, 150	
Dimensions mm (LxWxH)	425 x 305 x 75mm	
Weight Kg (Unit / packaged)	6kg	6,2kg

ACCESSORIES

Flood Trunion arm
15 degree Wall mount bracket
Pole mount Bracket
Wire Guard
Double entry on request only

PHOTOMETRIC PERFORMANCE:

As photometric data and IES files differ according to the selected optics and wattages, these are available on request

WARRANTY:

Warranty - 5 years

52 Fransen str, Chamdor
PO Box 2465
Noordheuwel Ext 4
1756
South Africa

T: 010 442 2809
E: sales@nordland.co.za
W: www.nordland-lighting.com



Nordland reserves the right to change any specification or design without prior notice.